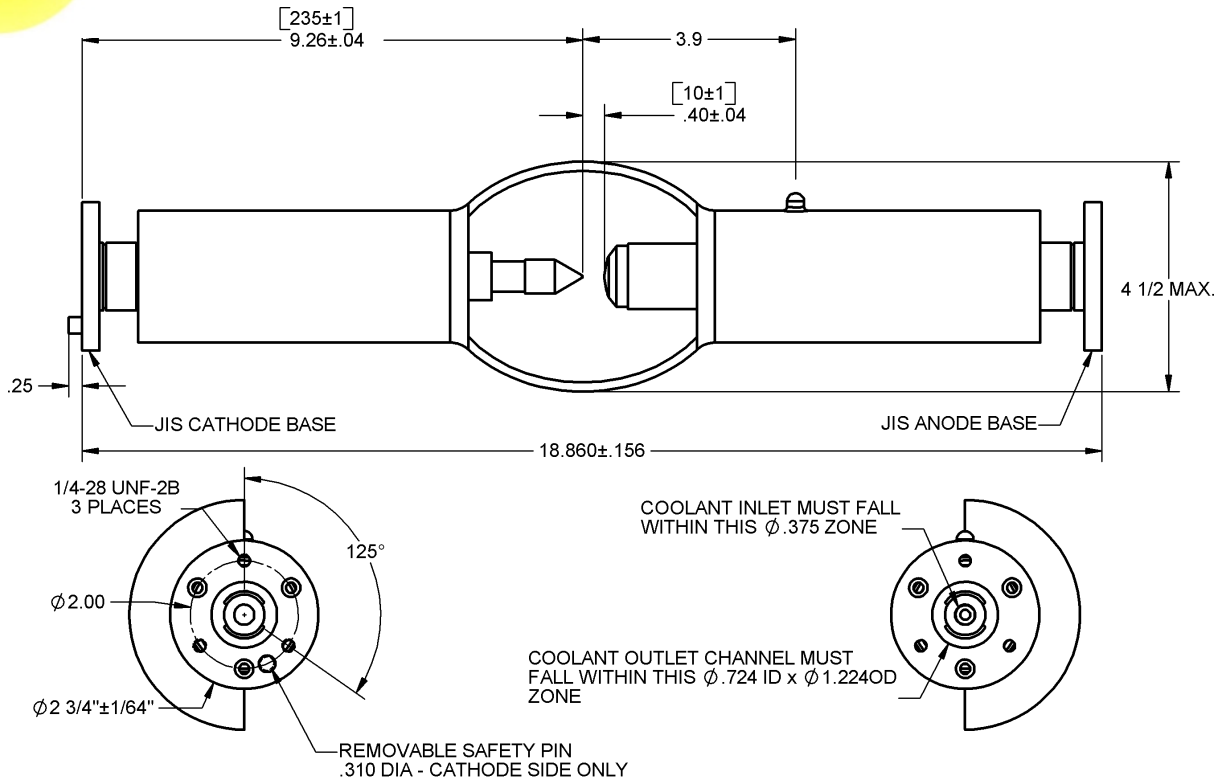


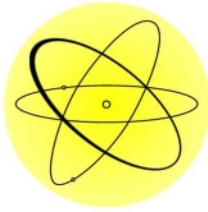
# SUPERIOR QUARTZ PRODUCTS, INC.



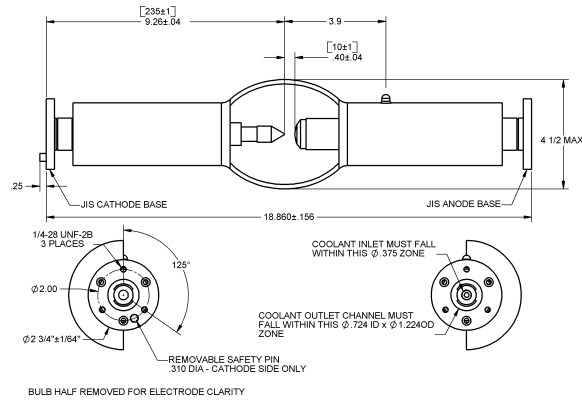
BULB HALF REMOVED FOR ELECTRODE CLARITY

	SX12000-1	SX15000-1
<b>CROSS REFERENCES</b>		
DUROTEST	XE12000D	XE15000D
<b>SPECIFICATIONS</b>		
WATTAGE	12,000	15,000
VOLTAGE (VDC)	32 +3.5 -.05	37.5 +/-2.5
NOMINAL CURRENT	375	400
<b>INTENSITY (Cd/mm<sup>2</sup>)</b>		
PEAK BRIGHTNESS (1)	7,400	8,300
AVERAGE BRIGHTNESS (2)	3,900	4,200
AVERAGE BRIGHTNESS (3)	1,700	1,850

- (1) OVER A CIRCULAR AREA OF 0.25mm DIA IN FRONT OF CATHODE TIP  
 (2) OVER A CIRCULAR AREA OF 2mm DIA. IN FRONT OF CATHODE TIP  
 (3) OVER A RECTANGULAR AREA OF 6.5mm x 3.0mm IN FRONT OF CATHODE TIP



# SUPERIOR QUARTZ PRODUCTS, INC.



COOLANT DATA	SX12000-1	SX15000-1
COOLANT	DEIONIZED OR DISTILLED WATER WITH A MAINTAINED SPECIFIC CONDUCTANCE OF 50 MICROHMS PER cm MAX. FILTERED TO: 10 MICRONS FOR DEIONIZED OR DISTILLED. 25 MICRONS FOR ETHYLENE GLYCOL AND DEIONIZED OR DISTILLED WATER MIXTURE	
<b>FLOW (GPM MIN/GPM MAX)</b>		
ANODE AND CATHOD IN SERIES	4.0/6.0	4.0/6.0
ANODE SEPERATRELY	4.0/6.0	4.0/6.0
CATHODE SEPERATELY	3.5/6.0	3.5/6.0
<b>MAXIMUM COOLANT PRESSURE AT ANODE INPUT (PSIG)</b>	250	250
<b>PRESSURE - ANODE AND CATHODE IN SERIES (PSIG)</b>		
MINIMUM DROP ACROSS LAMP	70	70
NOMINAL ANODE INPUT	120	120
NOMINAL CATHODE OUTPUT	25	25
MINIMUM CATHODE OUTPUT	20	20
<b>PRESSURE—ANODE AND CATHODE SEPERATLEY (PSIG)</b>		
MINIMUM DROP ACROSS ANODE	35	35
NOMINAL ANODE INPUT	120	120
NOMINAL CATHODE INPUT	70	70
NOMINAL CATHODE OUTPUT	25	25
MINIMUM CATHODE OUTPUT	20	20